



ANTIBOTT



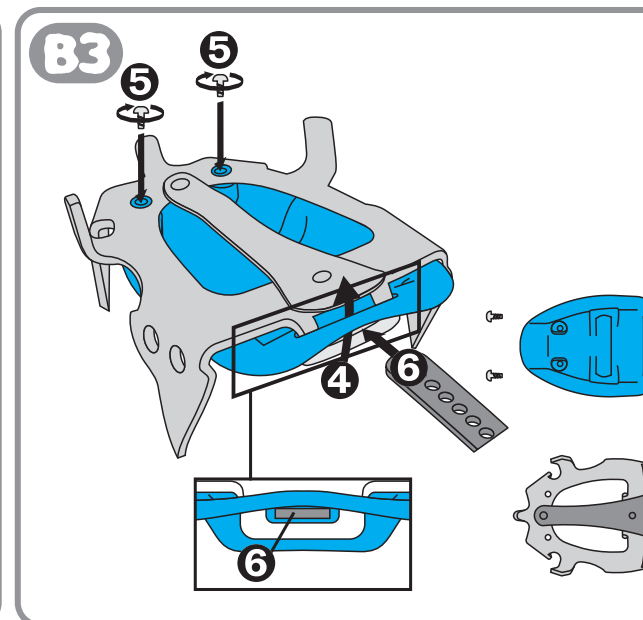
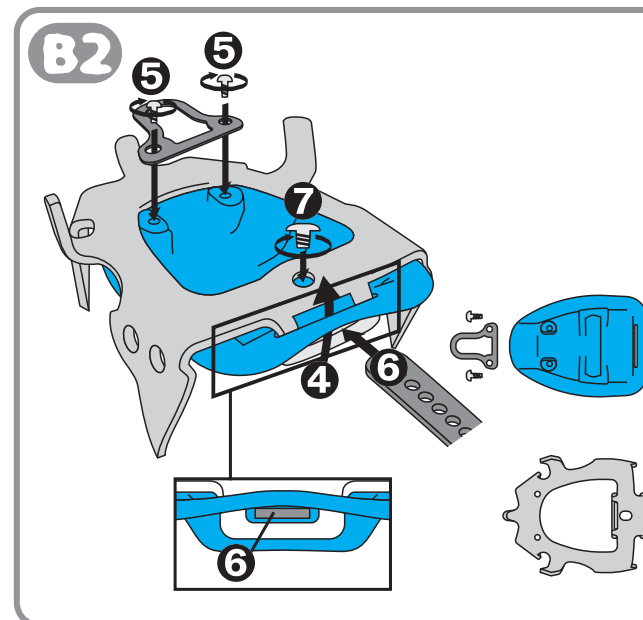
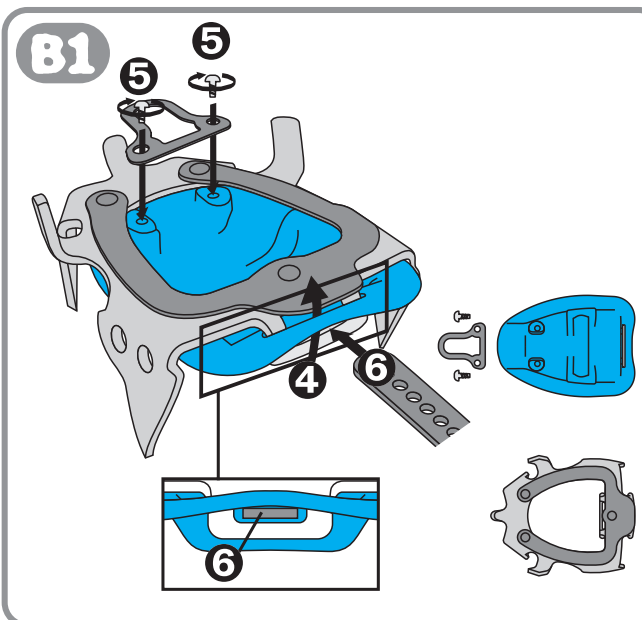
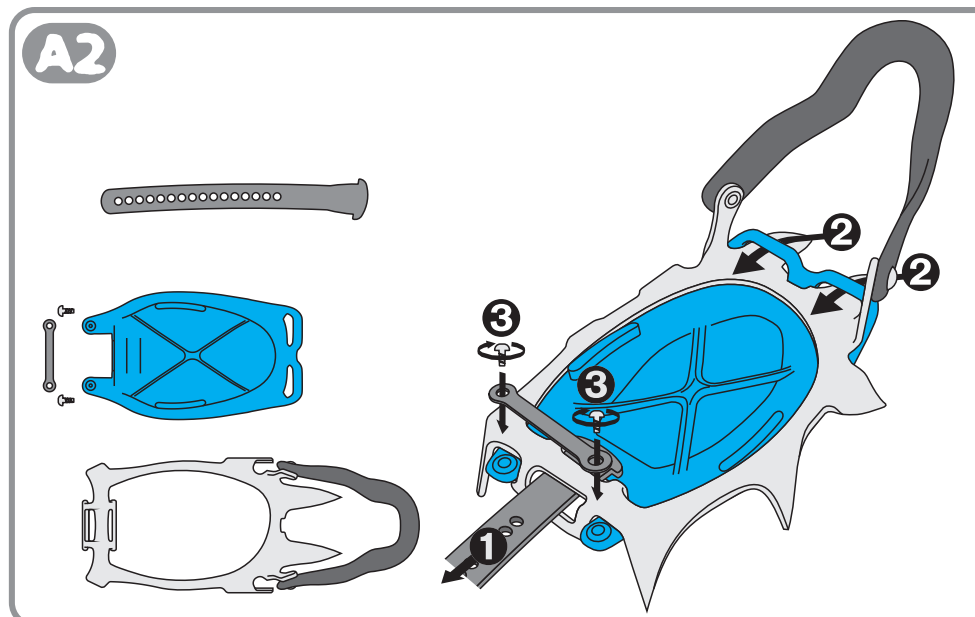
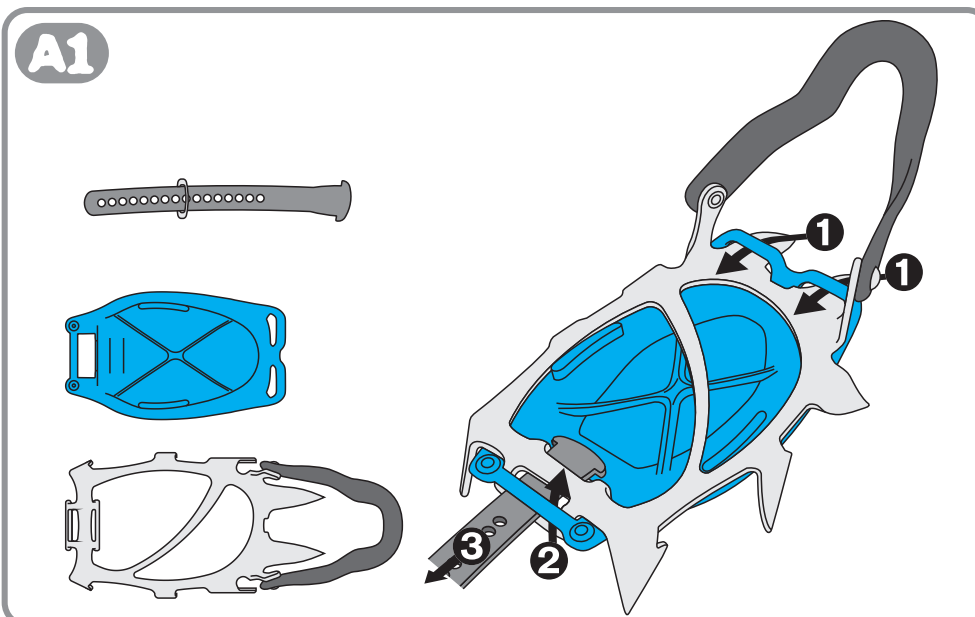
CO01MANUAL118
January 2020 - Rev. 3 - © C.A.M.P. S.p.A.

INSTRUCTION MANUAL
MANUALE ISTRUZIONI
MANUEL D'INSTRUCTIONS

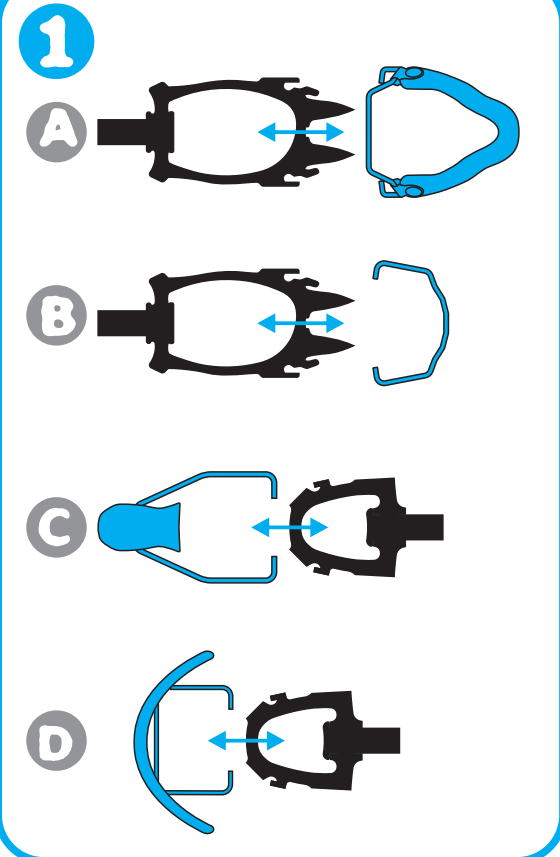
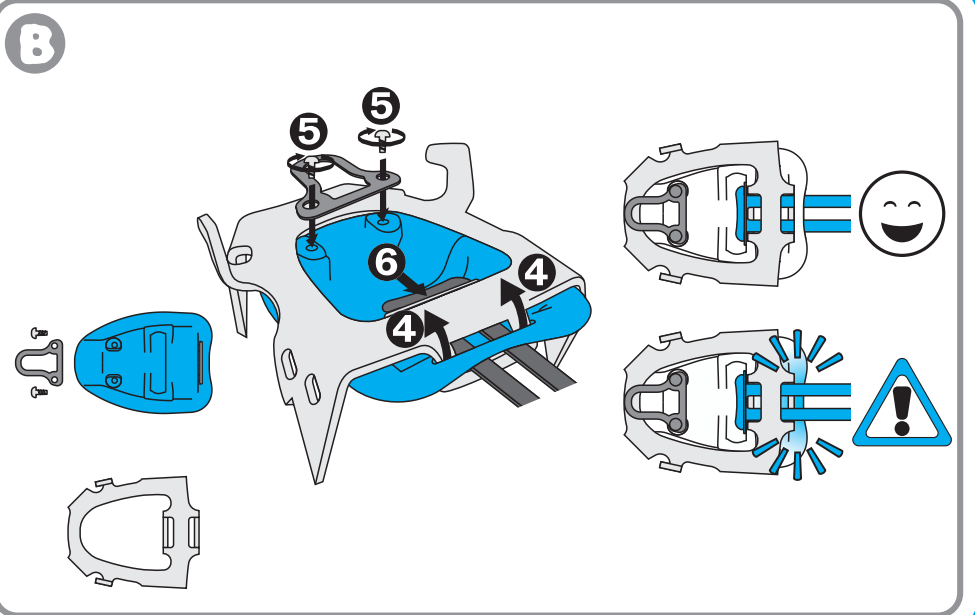
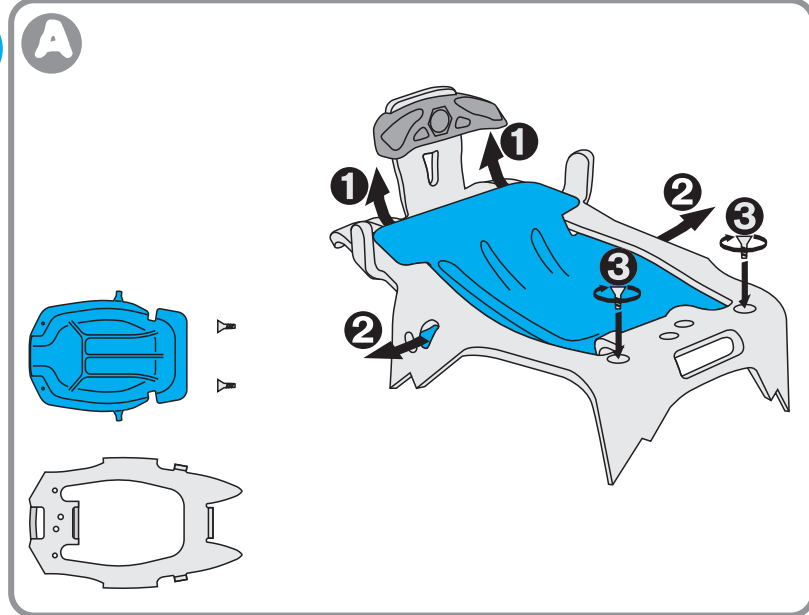


are brands owned by **CAMP** SPA
**CONCEZIONE ARTICOLI
MONTAGNA PREMANA**
Via Roma 23, 23834 Premana (LC) - ITALY
Tel. +39 0341 890117 Fax +39 0341 818010
www.camp.it - contact@camp.it

2



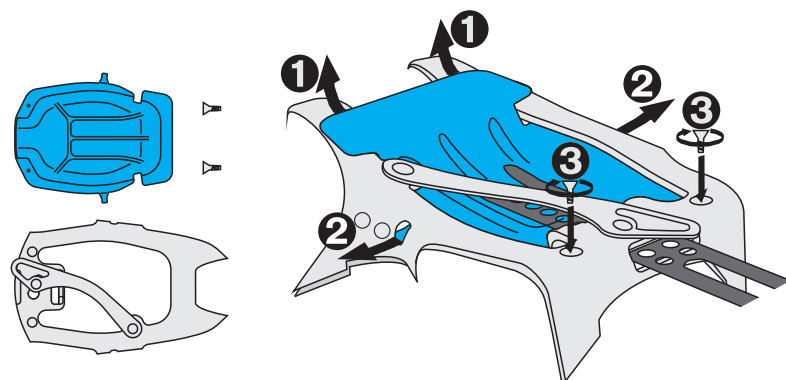
3



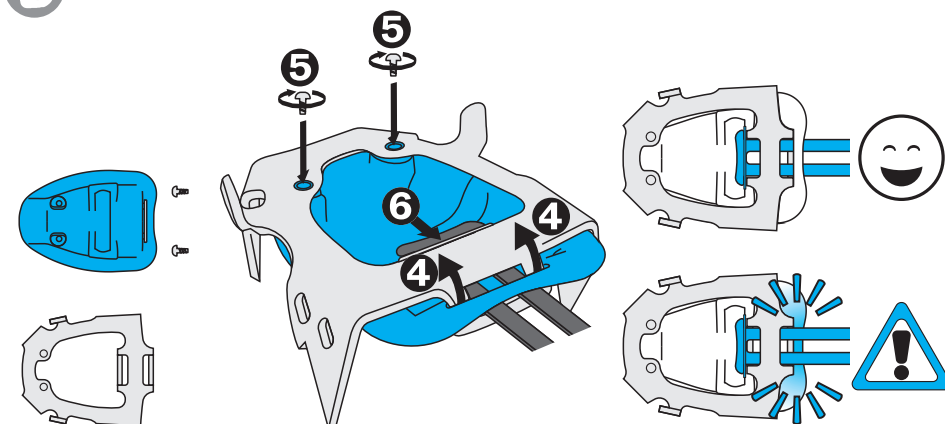
RAMPONI - CRAMPONS STEIGEISEN - CRAMPONES		ANTIBOTT Fig. - Abb.	
Ref.	Mod.	Ref.	
2448	ALPINIST - AUTO	2451	1.B / 5.B1 1.C / 5.A
2448	ALPINIST - SEMI-AUTO	2451	1.A / 5.B1 1.C / 5.A
2449	ALPINIST PRO - AUTO	2526	1.B / 5.B2 1.C / 5.A
2449	ALPINIST PRO - SEMI-AUTO	2526	1.A / 5.B2 1.C / 5.A
2680	ALPINIST TECH	2682	1.B / 5.B3 1.C / 5.A
254201	XLC 490 - UNIVERSAL	2560	2.A2 2.B1
254202	XLC 470 - SEMI-AUTOMATIC	2560	2.A2 1.C / 2.B1
254203	XLC 390 - AUTOMATIC	2560	1.B / 2.A2 1.C / 2.B2
254402	XLC NANOTECH - SEMI-AUTOMATIC	2560	2.A2 1.C / 2.B1
254403	XLC NANOTECH - AUTOMATIC	2560	1.B / 2.A2 1.C / 2.B2
292001	STALKER - UNIVERSAL	2911	2.A1 2.B3
292002	STALKER - SEMI-AUTOMATIC	2911	2.A1 1.C / 2.B3
2583	SKIMO TOTAL RACE	2587	3.A -
2584	SKIMO RACE	2587	3.A 1.C / 3.B
2585	SKIMO TOUR	2587	3.A 1.C / 3.B
2586	SKIMO NANOTECH	2587	3.A 1.C / 3.B
2980	SKIMO PURE NANOTECH	2997	3.A 1.C / 4.B
2978	ASCENT - AUTO	2993	1.B / 4.A 1.C / 4.B
2978	ASCENT - SEMI-AUTO	2993	1.A / 4.A 1.C / 4.B
2979	ASCENT - UNIVERSAL	2993	1.A / 4.A 1.D / 4.B

4

A

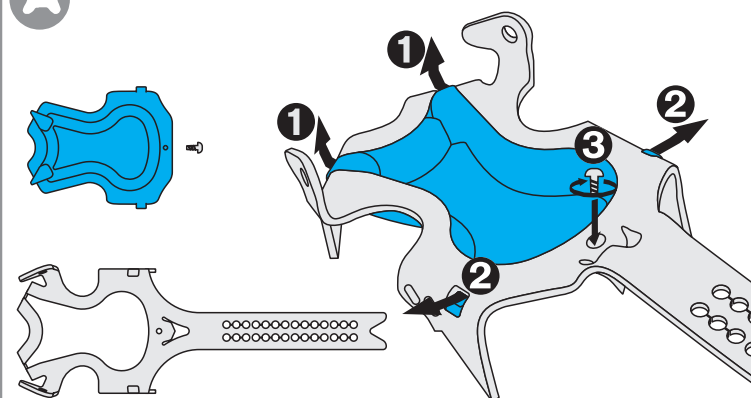


B

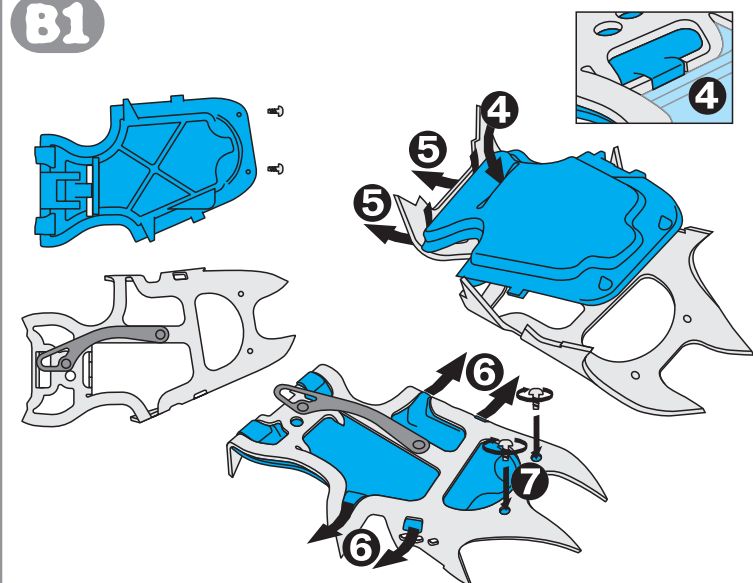


5

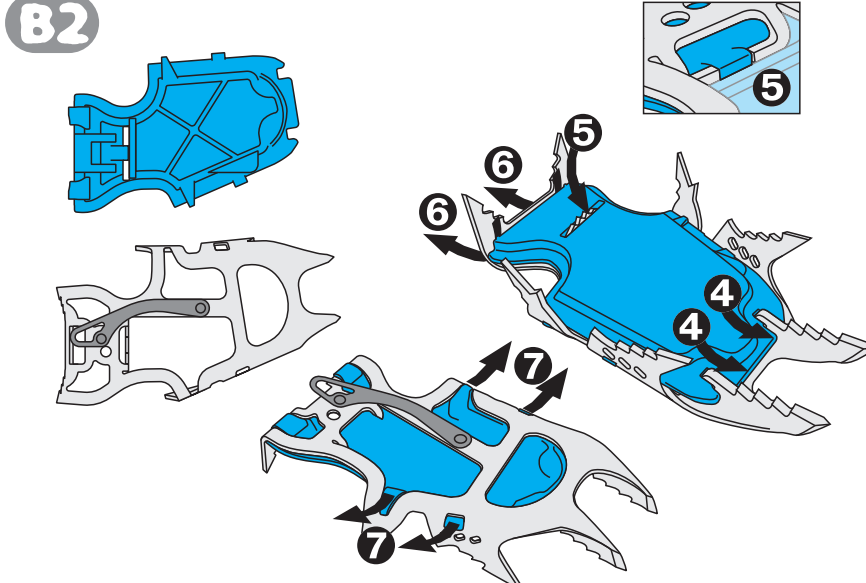
A



B1



B2



B3

