

Ref.3141 - 3142 TRIAD

Semi-circular aluminum alloy carabiner with a 16 kN breaking load in all directions.

It has an exceptional strength of 25 kN when loaded on three points so it is perfect for the connection of fall-arrest devices to the "A/2" double sternal attachment points of some full body harnesses.

Keylock closure prevents snagging during use.

GENERAL CONSTRUCTION ROOFS TOWERS/INDUSTRY TEAM RESCUE

Triad Lock
3141

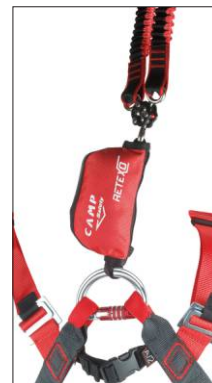
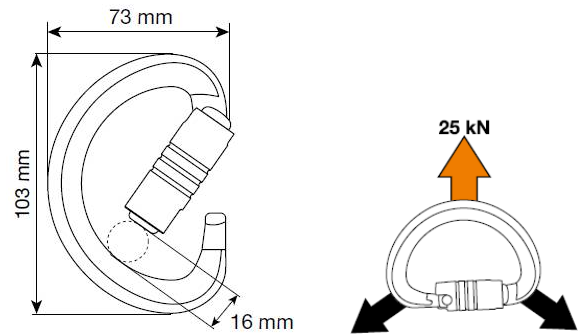
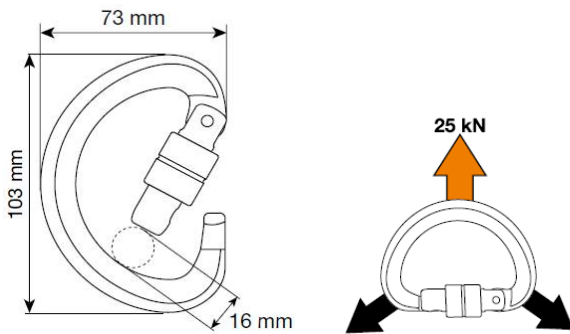


Screw gate locking system.

Triad 3Lock
3142



Automatic lock requires three actions to open: slide, twist and pull.



Ref.	Product name Nombre del producto	Weight Peso		Strength			Dimensions			CE	
		g	oz	kN	kN	kN	mm	mm	mm	EN 12275	EN 362
3141	TRIAD LOCK	84	3.1	20	16	8	16	103	73	B	M
3142	TRIAD 3LOCK	88	3.0	20	16	8	16	103	73	B	M